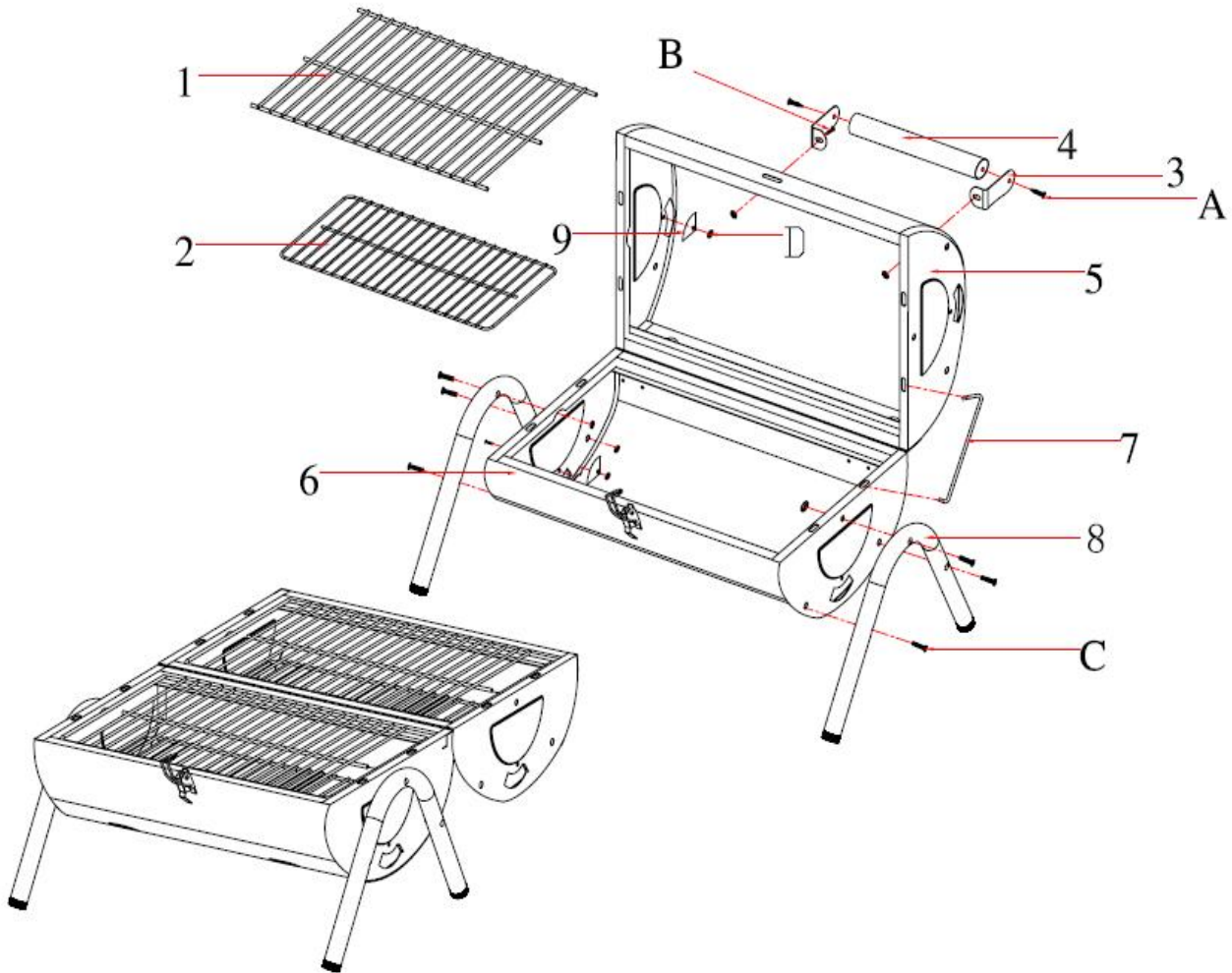
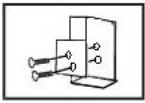


EXPLODED VIEW



Code NO.	Description.	QTY. pcs	Code NO.	Description.	QTY. pcs
1.	Cooking grill	2	6.	Fire bowl	1
2.	Charcoal grill	2	7.	Pothook	1
3.	Bracket	2	8.	Leg	2
4.	Wooden handle	1	9.	Vent	4
5.	Lid	1			
A.	Screw M4*16mm	2	B	Screw M5*8mm	2SET
C.	Screw M5*25mm	6SET	D.	Screw M3*10mm	4SET



ASSEMBLY INSTRUCTION

STEP 1

Lock (8) on the two side of (6) by using(C)

STEP 2

Lock(3) on the two side of (4) by using (A); then lock on the top of (5) by using (B)

STEP 3

Lock (9) inside of (5) and (6) by using (D)

STEP 4

Put (2) and (1) into (6) or (5)

STEP 5

Catch (7) into holes on (5) and (6)

SAFETY GUIDELINES

- 1.This BBQ is intend for OUTDOOR USE ONLY . Do not attempt to use this grill in enclosed areas.
- 2.Place your BBQ outside on a firm, Level surface away from wooden fences . Overhanging trees, or other flammable objects before using the BBQ.
- 3.Do not use gasoline in this grill. Use only charcoal when grilling.
- 4.Keep children and pets away form the BBQ when grilling.
- 5.After the charcoal is lit, the grill will become very hot. Use proper outdoor cooking gloves, cooking utensils and avoid skin contact with all metal surfaces on the grill.